

Waterproof Connector Specification

AS-FC-0001

AS-FC-0002

AS-FC-0003

AS-FC-0031

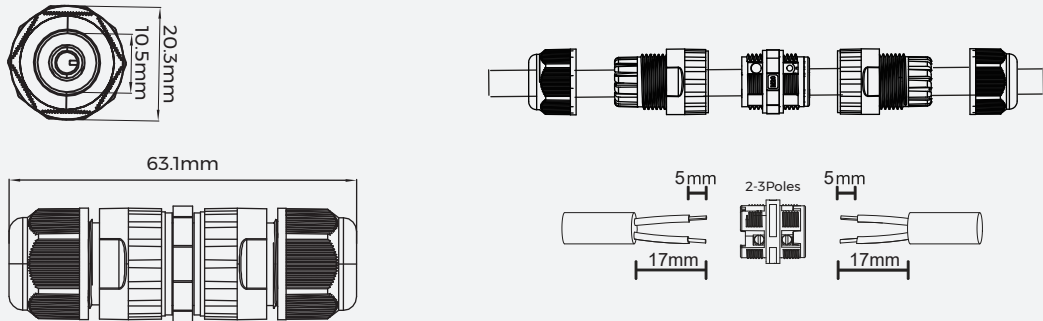


[Features]

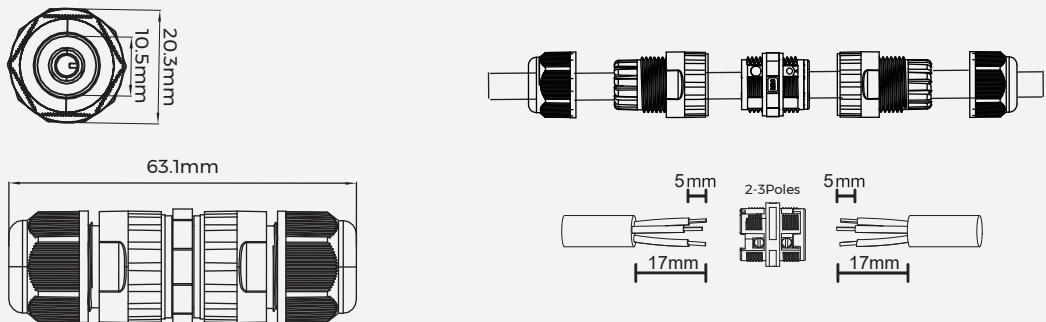
Model	material	Termination points	Mode of connection	Acceptable wire gauge range	IP
AS-FC-0001	PC	2PIN	Screw fastening	4-8mm	IP68
AS-FC-0002	PC	3PIN	Screw fastening	4-8mm	IP68
AS-FC-0003	PC	4PIN	Screw fastening	4-8mm	IP68
AS-FC-0031	PC	/	Screw fastening	4-8mm	IP68

[Mechanical Parameter]

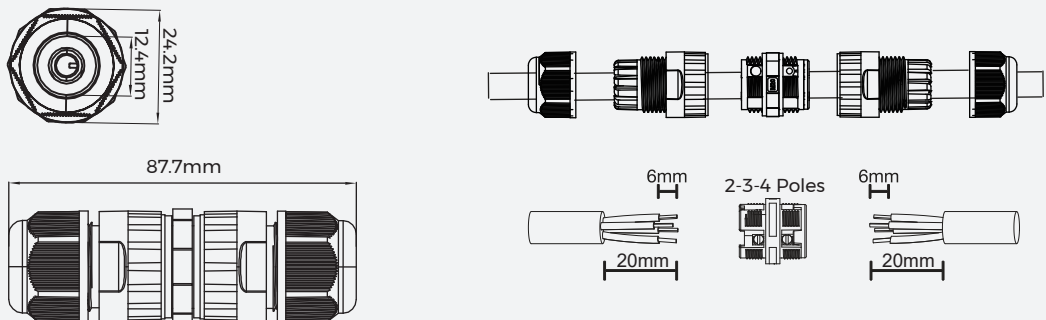
AS-FC-0001



AS-FC-0002

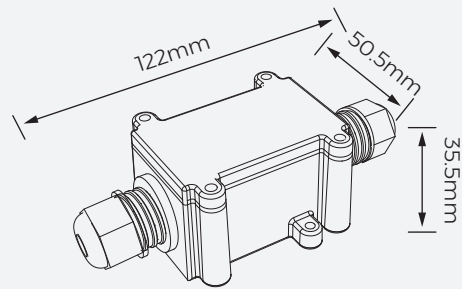


AS-FC-0003



【Mechanical Parameter】

AS-FC-0031



【Specification Information】

Description	Accessories Picture	Order model	Quantity/ case (PCS)	Net weight (kg)	Per box net weight (kg)	Gross weight (kg)	Packages (mm)	Compatible products
2PIN IP68 quick waterproof connector		AS-FC-0001	512	0.016	8.192	9.5	365*365*190	Suitable for single color strip
3PIN IP68 quick waterproof connector		AS-FC-0002	512	0.016	8.192	9.5	365*365*190	Suitable for CCT strip
4PIN IP68 quick waterproof connector		AS-FC-0003	288	0.03	8.64	9.6	365*365*190	Suitable for RGB strip
Waterproof junction box IP68		AS-FC-0031	72	0.06	4.32	5.32	250*250*150	Suitable for AW single color neon strip

【Precautions】

·Wiring must be done in a dry environment,tighten each threaded fastener.